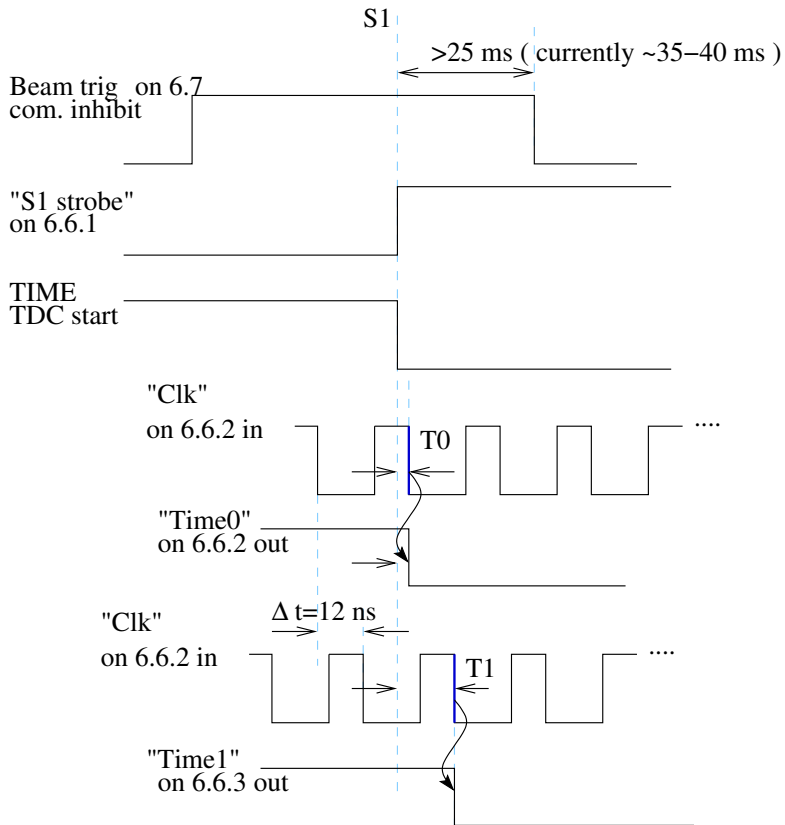


NIM Crate #6 (DAQ) timing diagrams



$$\text{Time 0} = T0 + \text{cable}(10 \text{ ns})$$

$$\text{Time 1} = T1 + \text{cable} (10 \text{ ns})$$

$$\text{Time Start} = 0 + \text{cable} (5 \text{ ns}); T0-T1 \text{ offset} = \sim 100 \text{ TDC counts}$$